

MSOs are constantly looking for new and profitable business solutions from the HFC strand. Lindsay has engineered a flexible, cost-effective solution for power and DOCSIS® backhaul to IP devices including small cell radios.

In accordance with FCC policy on human exposure to radio frequency electromagnetic fields, Lindsay's LHC112-RS remote switch permits service technicians and installation crews to power down the radio from a safe distance. The LHC112-RS remote switch is designed to complete this function while maintaining RF to the HFC network. The switch comes in an IP67 aluminum housing to be installed in the HFC environment with strand, wall, pole, vault or pedestal mounting options.



LHC112-RS
(front view)

FEATURES

- Supports DOCSIS 3.1 bandwidth to 1.2 GHz
- 20/15 A current capacity
- 6 kV surge protection
- Low insertion loss
- IP67 enclosure
- Polyurethane coated 360 aluminum alloy housing
- Separate gaskets for weatherproofing & RFI integrity
- Shorting bars to disable in/out power
- Lever switch to disable tap power
- Non-destructive connector port mechanism
- Strand, wall, pole, vault or pedestal mounting
- SCTE standards compliant

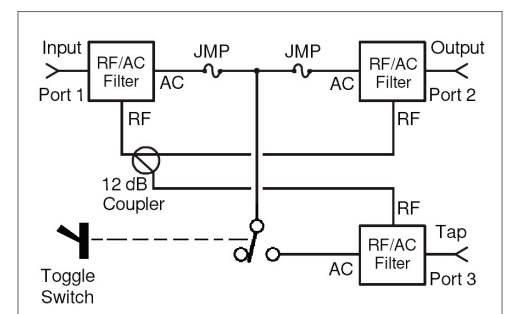


LHC112-RS
(bottom view)

SPECIFICATIONS

Parameter	Specification
RF	
Frequency Range	5-1220 MHz
	5 MHz = 1.3 dB
	10 MHz = 1.3 dB
	30 MHz = 1.3 dB
	50 MHz = 1.3 dB
	100 MHz = 1.3 dB
	300 MHz = 1.4 dB
Insertion Loss (dB max) ⁽¹⁾	450 MHz = 1.5 dB
	550 MHz = 1.6 dB
	650 MHz = 1.7 dB
	750 MHz = 1.7 dB
	860 MHz = 1.9 dB
	1000 MHz = 2.2 dB
	1220 MHz = 3.3 dB

FUNCTIONAL SCHEMATIC





SPECIFICATIONS CONT'D.

Parameter	Specification	
RF		
Tap Loss (dB max) ⁽¹⁾	5 MHz = 12.4 dB	
	10 MHz = 12.4 dB	
	30 MHz = 12.4 dB	
	50 MHz = 12.4 dB	
	100 MHz = 12.4 dB	
	300 MHz = 12.4 dB	
	450 MHz = 12.4 dB	
	550 MHz = 12.4 dB	
	650 MHz = 12.6 dB	
	750 MHz = 12.6 dB	
	860 MHz = 12.6 dB	
	1000 MHz = 12.6 dB	
1220 MHz = 12.6 dB		
Return Loss (dB min)	5-1220 MHz = 16 dB	
Out-Tap Isolation (dB min)	5 MHz = 27 dB	
	10 MHz = 27 dB	
	30 MHz = 32 dB	
	50 MHz = 30 dB	
	100 MHz = 28 dB	
	300 MHz = 25 dB	
	450 MHz = 23 dB	
	550 MHz = 22 dB	
	650 MHz = 21 dB	
	750 MHz = 20 dB	
	860 MHz = 19 dB	
	1000 MHz = 17 dB	
1220 MHz = 17 dB		
Hum Modification (dB max)	@ 15 A Up = 65 dB Down = 70 dB	
Surge Protection	SCTE81-Cat B3, Combination Wave, 6 kV	
RFI (dB min)	5-1220 MHz = -100 dB	
Dust & Water Protection	IP67	
Torque	Housing Screws 50-100 in-lb (5.6-11.3 Nm)	
Power, Environmental & Physical		
Port AC Control	Input	Internal fuse bar
	Output	Internal fuse bar
	Tap	External switch
Voltage - any port	90 VAC max	
Current	Input	20 A max
	Output	20 A max
	Tap	15 A max
Operating Temperature	-40°C to +65°C (-40°F to +149°F)	
Dimensions (H x W x D)	5.5"H x 6.2"W x 2.7"D (13.9H x 15.7W x 6.8D cm)	
Weight	1.6 lb (0.7 kg)	

NOTE:

(1) No variation greater than ± 0.2 dB over any 6 MHz bandwidth for insertion loss or tap loss

ORDERING INFORMATION

Part #	Description
LHC112-RS	Remote switch for small cell power